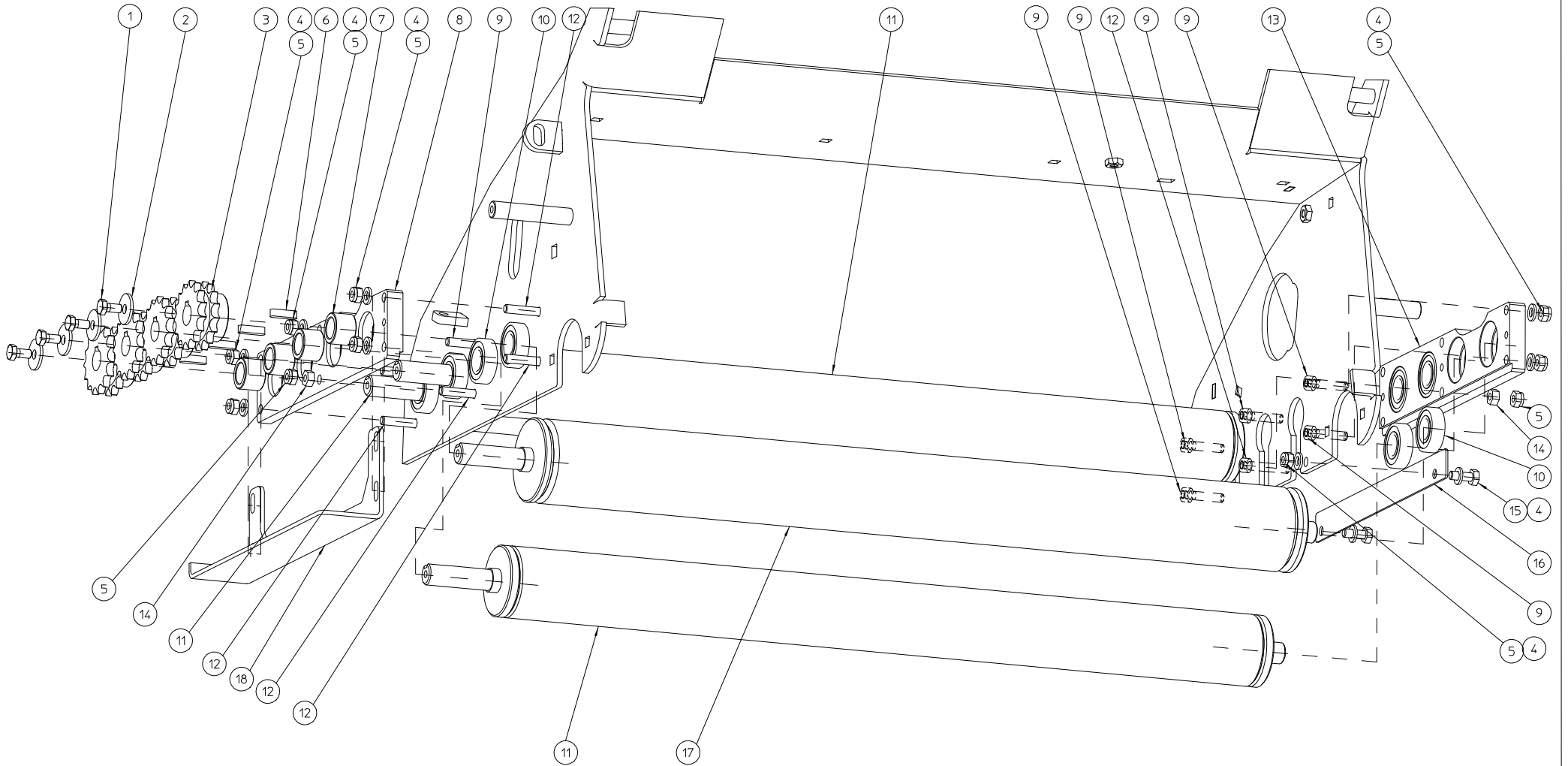


ELIET E600 C --- GENERAL					
NO	MMA 01 350 100	REV	1	DATE	2014/01/30

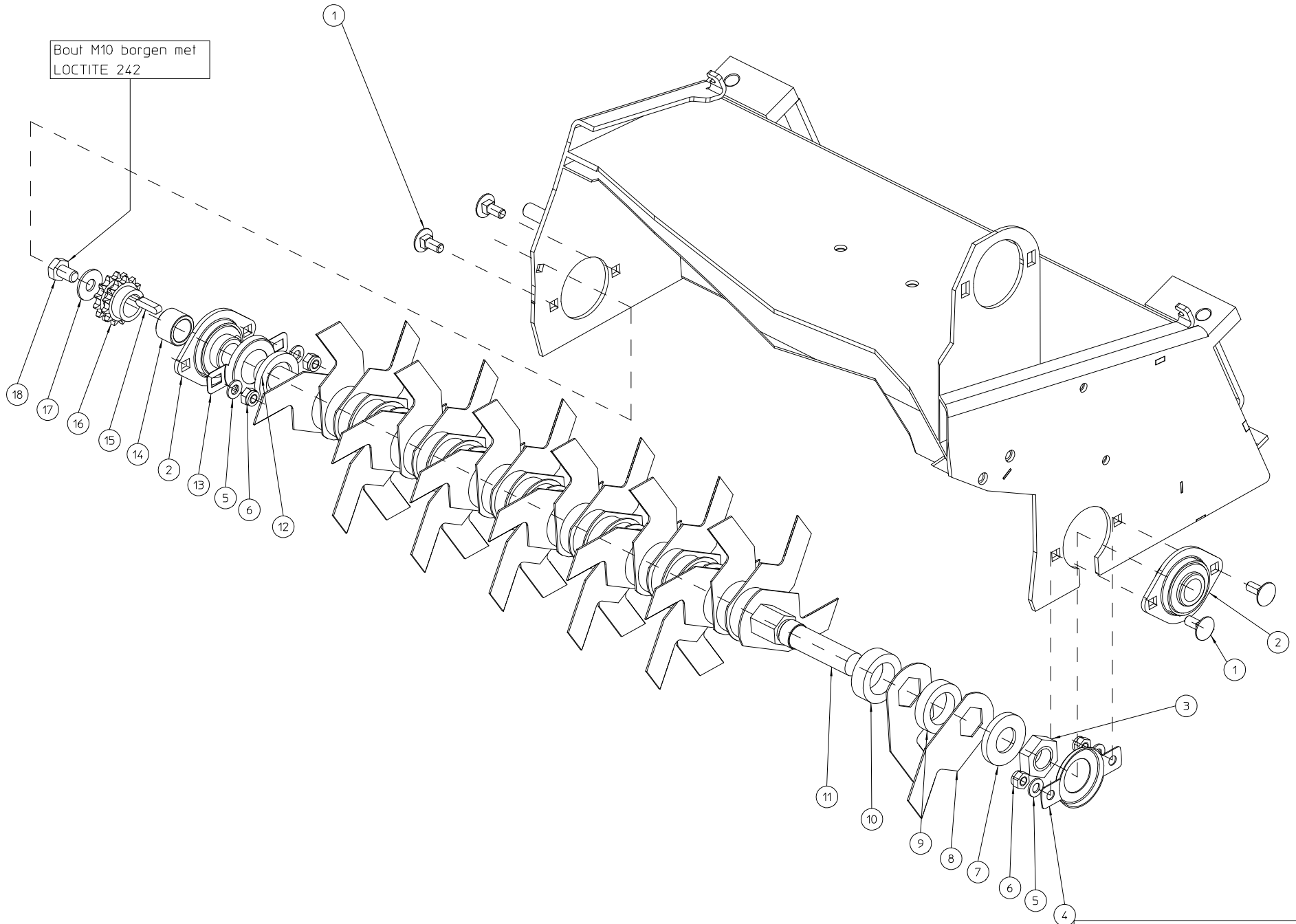
#	Order nr	Description	#
501	MMA 01 350 130	TRANSMISSION PINCH ROLL	1
502	MMA 01 350 170	FRAME	1
503	MMA 01 350 150	HINGED TRANSFER ROLLS	1
504	MMA 01 350 120	TRANSMISSION BLADESHAFT	1
505	MMA 01 350 160	TRANSMISSION CONVEYOR	1
506	MMA 01 350 110	TRANSMISSION BLADESHAFT	1
507	MMA 01 350 140	FIXED TRANSFER ROLLS	1



ELIET E600 C -- VASTE TRANSPORTROLLEN					
NO	MMA 01 350 140	REV	2	DATE	2014/01/30

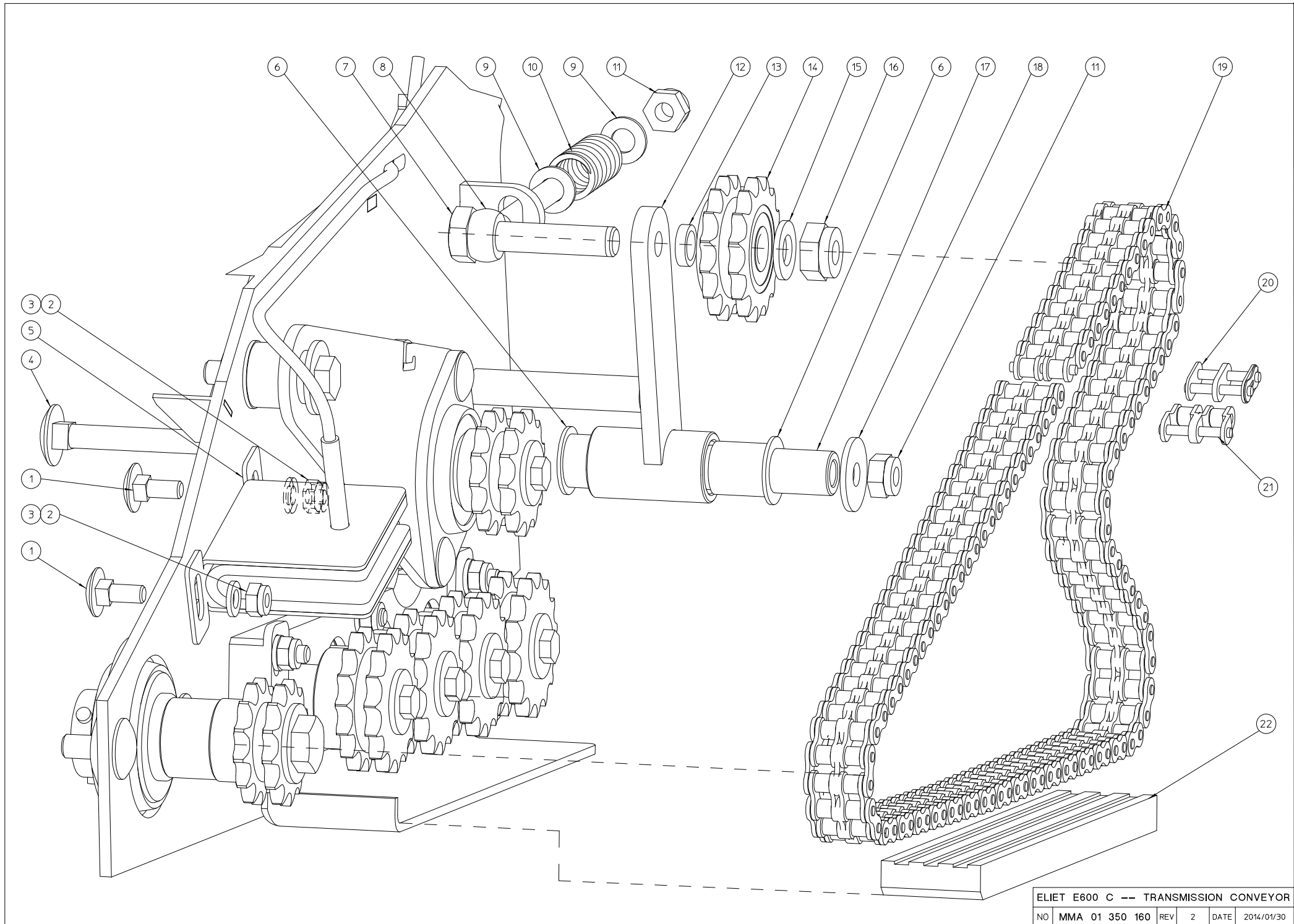
#	Order nr	Description	#
1	BS 512 070 612	BOLT DIN 933 M6X12	4
2	BS 532 006 224	WASHER M6X22X2	4
3	BA 172 015 150	SPROCKET DUPLEX 3/8"X7/32" 15T	4
4	BS 531 000 600	WASHER M6 DIN 125	14
5	BS 502 000 600	SELF LOCKING NUT M6 DIN 985	14
6	BB 351 050 520	KEY 5X5X20 DIN 6885A	4
7	MPA 01 350 225	SPACER CHAIN WHEEL	4
8	MPA 01 350 220	BEARINGBLOCK LEFT	1
9	BS 521 100 625	SCREW M6X25 DIN 912	6
10	BL 001 503 203	BEARING 6002 ZZ	8
11	MPA 01 350 180	INPUTROLL Ø51	3
12	BS 521 100 630	SCREW M6X30 DIN 912	6
13	MPA 01 350 215	BEARINGBLOCK RIGHT	1
14	BS 501 000 600	NUT M6 DIN 934	2
15	BS 512 000 616	BOLT M6X16 DIN 933	2
16	MPA 01 350 210	SEALINGPLATE RIGHT	1
17	MPA 01 350 195	PINCH ROLL Ø60	1
18	MPA 01 350 235	SUPPORT CHAIN CATCHER	1

Bout M10 borgen met  
LOCTITE 242

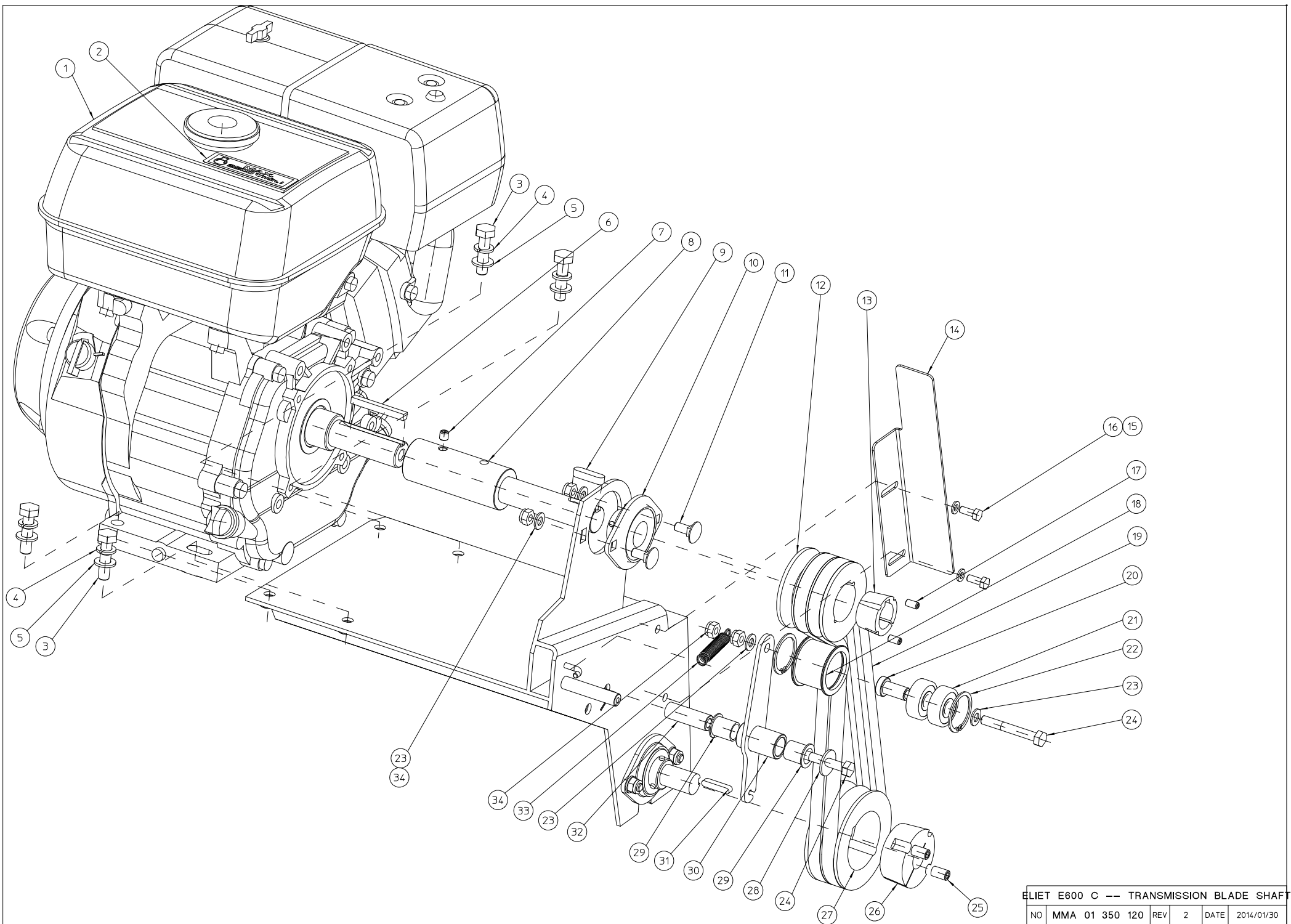


ELIET E600 C -- BLADE SHAFT					
NO	MMA 01 350 110	REV	2	DATE	2014/01/30

#	Order nr	Description	#
1	BS 554 100 820	BOLT M8X20 DIN 603	4
2	BL 801 102 002	BEARING + FLANGES UCPFL 204	2
3	BS 501 902 200	NUT M22X1.50 DIN 439	1
4	MPA 01 010 010	BEARING PROTECTION COVER 204	1
5	BS 531 000 800	WASHER M8 DIN 125	4
6	BS 502 000 800	SELF LOCKING NUT M8 DIN 985	4
7	MPA 01 350 070	SUPPORT DISC RING BLADES	1
8	BU 102 300 100	DOUBLE CUT BLADE E501 / E750	36
9	BR 111 291 010	NYLON BUSHING (28.5/44x10)	1
10	BR 111 291 410	NYLON BUSHING (28.5/44x14)	34
11	MPA 01 350 065	BLADE SHAFT	1
12	MPA 01 350 075	SUPPORT DISC RING BLADES	1
13	MPA 01 350 255	PROTECTION PLATE BEARING	1
14	MPA 01 350 080	SPACER CHAIN WHEEL	1
15	BB 351 060 625	KEY 6X6X25 DIN 6885A	1
16	BA 172 013 201	SPROCKET DUPLEX 3/8"X7/32" 13T	1
17	BS 532 010 274	WASHER M10X27X2	1
18	BS 512 001 016	BOLT M10X16 DIN 933	1



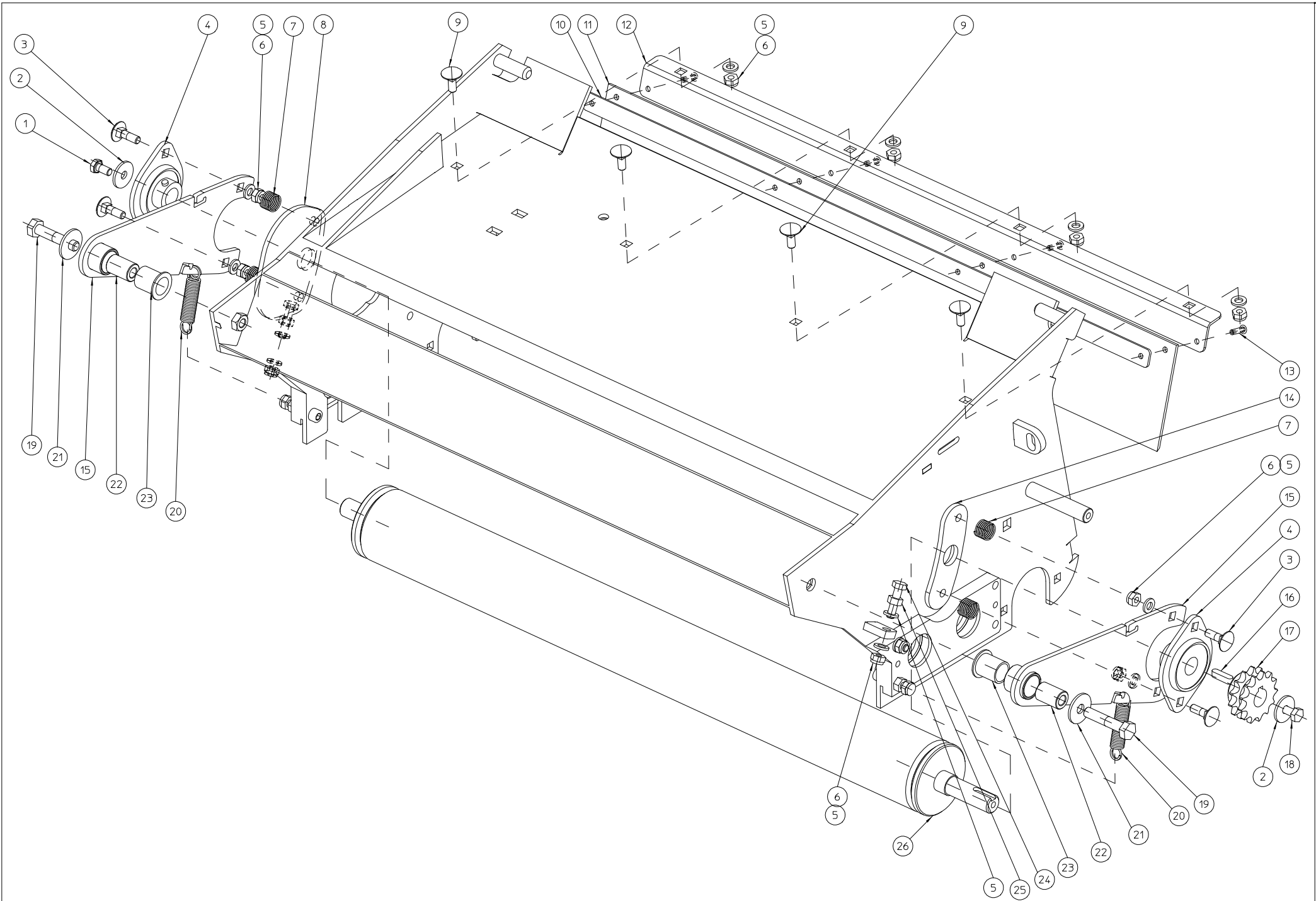
#	Order nr	Description	#
1	BS 554 100 616	BOLT M6X16 DIN 603	2
2	BS 502 000 600	SELF LOCKING NUT M6 DIN 985	2
3	BS 531 000 600	WASHER M6 DIN 125	2
4	BS 554 100 844	BOLT M8X60 DIN603	1
5	MPA 01 350 240	PIECE LUBRICATE CHAIN	1
6	BR 112 152 100	NYLON BUSHING WITH COLLAR (15.4/18/23x21/1)	2
7	BS 512 001 042	BOLT M10X50 DIN 933	1
8	BS 851 000 848	EYE BOLT M8X80 DIN 444	1
9	BS 531 000 800	WASHER M8 DIN 125	2
10	BV 012 014 535	SPRING Ø2XØ14,5X33	1
11	BS 502 000 800	SELF LOCKING NUT M8 DIN 985	2
12	MPA 01 350 165	SUPPORT CHAINTENSION ROLLER	1
13	MPA 01 350 160	SPACER CHAIN TIGHTENER	1
14	BA 198 050 150	SPROCKET DUPLEX 3/8"X7/32" 15T + BEARING	1
15	BS 531 001 000	WASHER M10 DIN 125	1
16	BS 502 001 000	SELF LOCKING NUT M10 DIN 985	1
17	MPA 01 350 035	THUMB BELT TIGHTENER	1
18	BS 532 008 254	WASHER M8X25X2	1
19	BA 102 099 020	CHAIN DUPLEX 3/8"X7/32" 99L	1
20	BA 152 200 000	CONNECTING CHAIN LINK DUPLEX 3/8"X7/32"	1
21	BA 152 400 000	CONNECTING CHAIN LINK DUPLEX (1/2) 3/8"X7/32"	1
22	BR 910 000 750	CHAIN CATCHER 205X35X12	1



ELIET E600 C -- TRANSMISSION BLADE SHAFT

NO	MMA 01 350 120	REV	2	DATE	2014/01/30
----	----------------	-----	---	------	------------

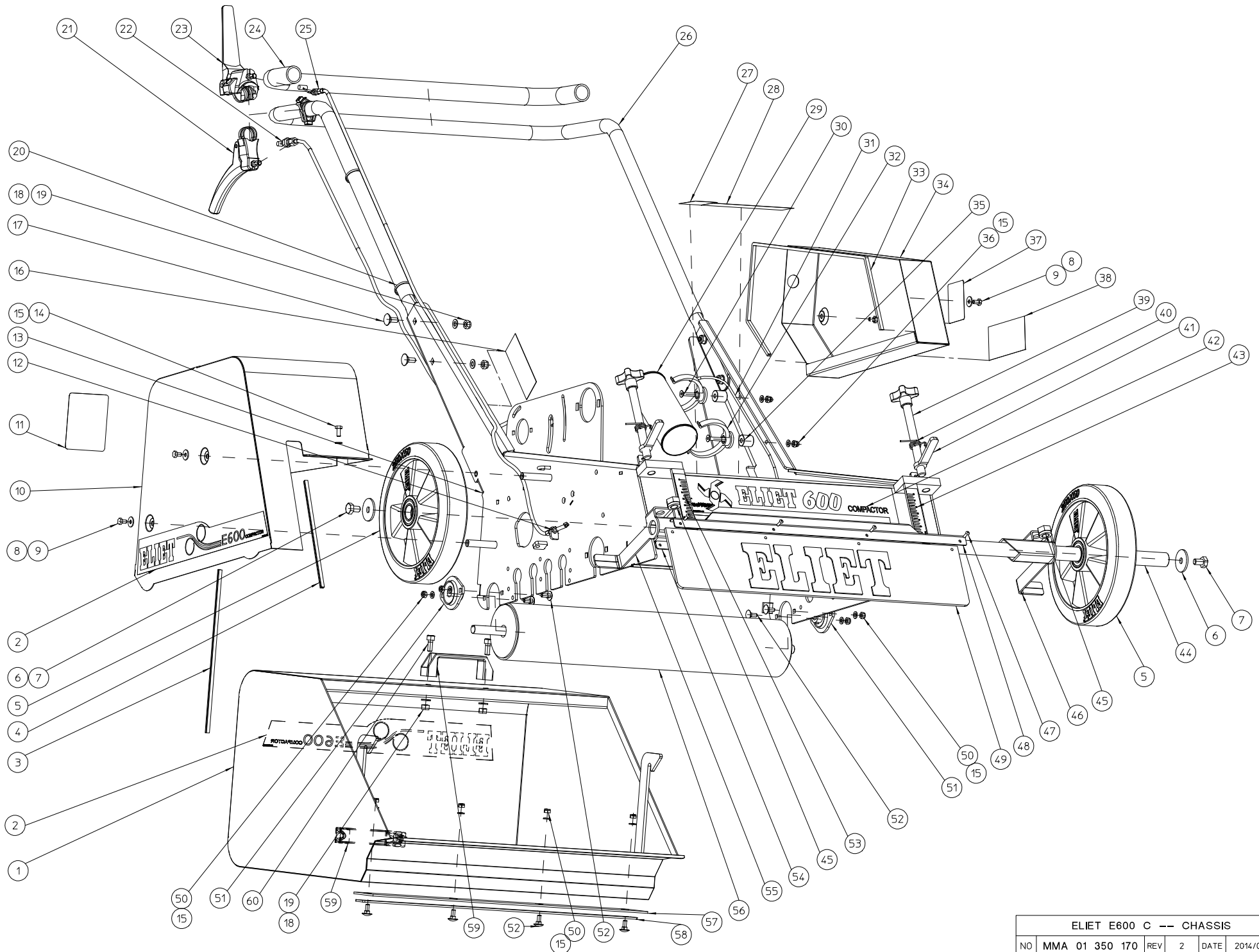
#	Order nr	Description	#
1	BM 202 109 000	HONDA GX 270	1
2	BQ 505 010 020	STICKER MAX 2800 RPM 90X25	1
3	BS 511 001 040	BOLT M10X40 DIN 931	4
4	BS 533 001 000	LOCK WASHER M10 DIN 127B	4
5	BS 531 001 000	WASHER M10 DIN 125	4
6	BB 342 060 657	KEY 6.35X6.35X57 DIN 6880	1
7	BS 023 000 808	SET SCREW M8X8 DIN 916	1
8	MPA 01 350 125	EXTENTION ENGINESHAFT	1
9	BB 351 080 732	KEY 8X7X32 DIN 6885A	1
10	BL 801 102 500	BEARING + FLANGES ASPFL 205	1
11	BS 554 100 820	BOLT M8X20 DIN 603	2
12	BA 562 707 130	PULLEY SPA III 71 TL1108	1
13	BB 501 112 500	TAPER LOCK TL 1108-25	1
14	MPA 01 350 190	BELT CATCHER	1
15	BS 531 000 600	WASHER M6 DIN 125	2
16	BS 512 000 616	BOLT M6X16 DIN 933	2
17	BB 501 306 130	SET SCREW 1/4"X1/2"	2
18	MPA 01 350 030	PRESSURE ROLLER BELT TIGHTENER	1
19	BA 527 708 380	BELT 4L 330	2
20	MPA 01 350 040	SPACER BELT TIGHTENER GALVANIZED	1
21	BL 001 203 703	BEARING 6301 2RZ	2
22	BB 002 000 370	RETAINING RING 32 DIN 472	2
23	BS 531 000 800	WASHER M8 DIN 125	4
24	BS 511 000 844	BOLT M8X60 DIN 931	2
25	BB 501 310 160	SET SCREW 3/8"X5/8"	2
26	BB 501 132 000	TAPER LOCK TL 1610-20	1
27	BA 562 709 021	PULLEY SPA II 90 TL1610	1
28	BS 532 008 254	WASHER M8X25X2	1
29	BR 112 152 100	NYLON BUSHING WITH COLLAR (15.4/18/23x21/1)	2
30	MPA 01 350 025	SUPPORT PRESSURE ROLLER	1
31	BB 351 060 630	KEY 6X6X30 DIN 6885A	1
32	MPA 01 350 035	THUMB BELT TIGHTENER	1
33	BV 011 011 005	SPRING 1X11X55	1
34	BS 502 000 800	SELF LOCKING NUT M8 DIN 985	4



ELIET E600 C -- HINGED TRANSPORT ROLLS

NO	MMA 01 350 150	REV	2	DATE	2014/01/30
----	----------------	-----	---	------	------------

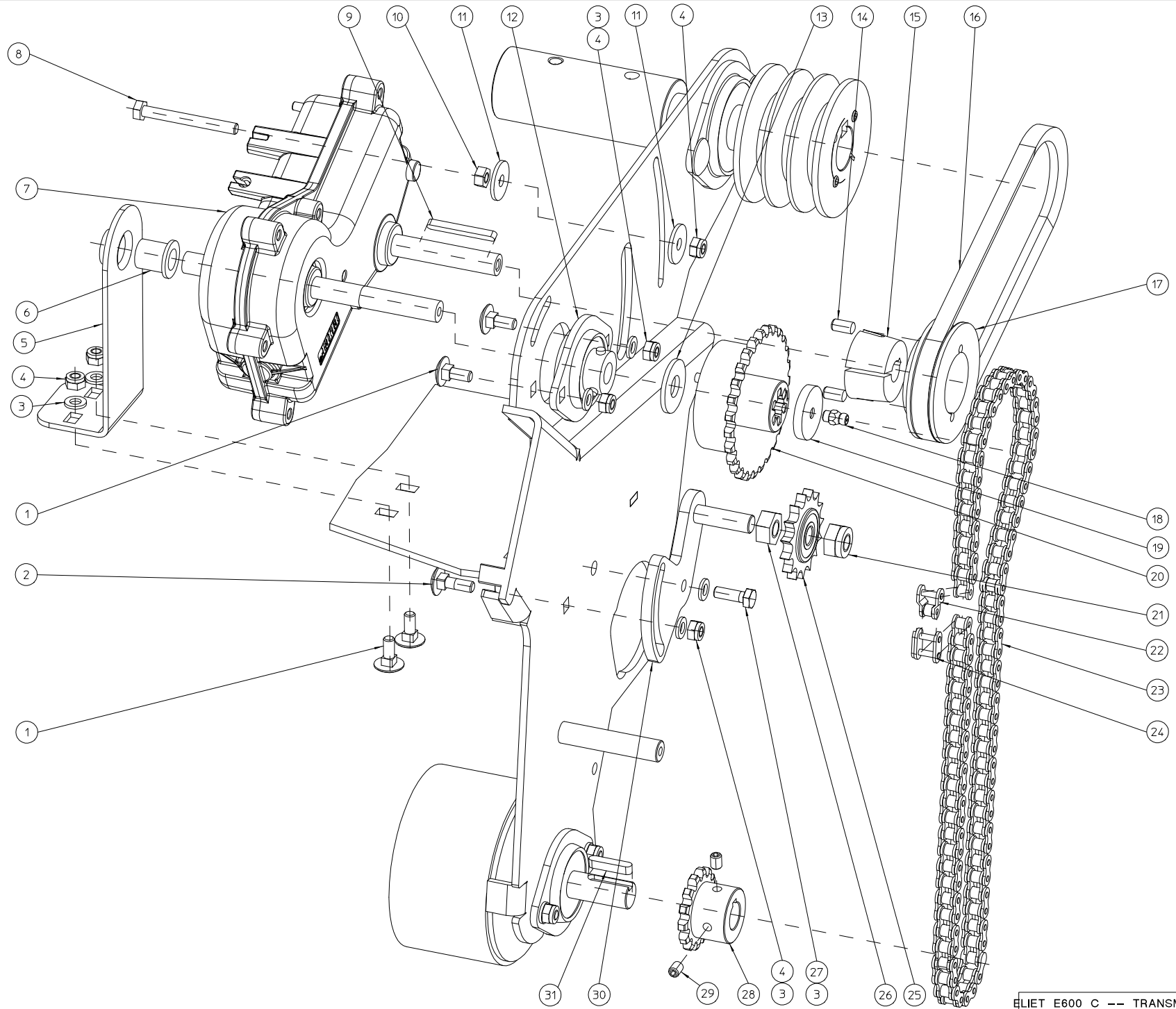
#	Order nr	Description	#
1	BS 512 070 612	BOLT DIN 933 M6X12	1
2	BS 532 006 224	WASHER M6X22X2	2
3	BS 554 100 620	BOLT M6X20 DIN 603	4
4	BL 801 101 500	BEARING + FLANGES ASPFL 202	2
5	BS 531 000 600	WASHER M6 DIN 125	12
6	BS 502 000 600	SELF LOCKING NUT M6 DIN 985	10
7	BV 902 030 010	COMPRESSION SPRING Ø14X21X1	4
8	BR 910 000 700	COVER PLATE RIGHT	1
9	BS 554 100 616	BOLT M6X16 DIN 603	4
10	MPA 01 350 110	SUPPORT FLAPPER	1
11	BR 910 000 720	ERTALON PLATE	1
12	MPA 01 350 230	SUPPORTANGLE ERTALONPLATE	1
13	BB 221 104 140	POP PLUG ALU 3.9X14 DIN 7337 A	4
14	BR 910 000 710	COVER PLATE LEFT	1
15	MPA 01 350 185	SUPPORT ARTICULATED ROLL	2
16	BB 351 050 520	KEY 5X5X20 DIN 6885A	1
17	BA 172 013 151	SPROCKET DUPLEX 3/8"X7/32" 13T	1
18	BS 512 000 612	BOLT M6X12 DIN 933	1
19	BS 511 000 840	BOLT M8X40 DIN 931	2
20	BV 011 311 005	SPRING 1,3X11X55	2
21	BS 532 008 254	WASHER M8X25X2	2
22	MPA 01 350 175	HINGERING PINCHROLL	2
23	BR 112 152 100	NYLON BUSHING WITH COLLAR (15.4/18/23x21/1)	2
24	BS 512 000 625	BOLT M6X25 DIN 933	2
25	BS 501 000 600	NUT M6 DIN 934	2
26	MPA 01 350 200	ARTICULATED ROLL	1



ELIET E600 C -- CHASSIS					
NO	MMA 01 350 170	REV	2	DATE	2014/01/30

#	Order nr	Description	#
1	MPA 01 350 155	CONTAINER	1
2	BQ 501 170 020	STICKER ELIET 468X72	2
3	BR 000 910 300	RUBBER U-MOULDING 300MM	1
4	BR 000 910 200	RUBBER U-MOULDING 200MM	1
5	BW 325 025 000	REAR WHEEL ALU 250/50-60 (E 501 PRO)	2
6	BS 532 010 406	WASHER M10X40X3	2
7	BS 512 001 016	BOLT M10X16 DIN 933	2
8	BS 532 006 183	WASHER M6X18X1.5	4
9	BS 512 000 610	BOLT M6X10 DIN 933	4
10	MPA 01 350 050	PROTECTION TRANSMISSION	1
11	BQ 505 010 130	SAFETY STICKER 100X80 (BELT TRANSMISSION)	1
12	BS 501 900 600	NUT M6 DIN 439	1
13	MPA 01 350 020	FRAME	1
14	BS 512 000 614	BOLT M6X14 DIN 933	2
15	BS 531 000 600	WASHER M6 DIN 125	12
16	BQ 505 010 010	IDENTITY STICKER CE 120X30	1
17	BS 554 100 820	BOLT M8X20 DIN 603	4
18	BS 531 000 800	WASHER M8 DIN 125	8
19	BS 502 000 800	SELF LOCKING NUT M8 DIN 985	8
20	BE 043 010 140	WRAP TIE 140X3.5	2
21	BN 332 500 350	CONTROL HANDLE	1
22	BK 153 181 220	CONTROL CABLE TRACTIONROLL	1
23	BN 332 500 140	CONTROL HANDLE	1
24	BN 231 002 077	SOFT RUBBER GRIP DIA 25MM (L=775MM)	1
25	BK 153 181 460	CONTROL CABLE DRIVE KNIVES	1
26	MPA 01 350 140	PUSHBRACKET ABOVE	1
27	BQ 505 112 098	STICKER SOUND LEVEL 98 dB	1
28	BQ 505 010 171	SAFETY STICKER 70X115 (PICTOGRAM)	1
29	BX 900 110 010	SPRAY CAN 400 ML CHAIN	1
30	BS 522 100 641	SCREW M6X45 DIN 7991	2
31	BH 646 060 040	HOSE BLUE 600 MM	1
32	BT 653 006 300	CLAM 63MM	2
33	BR 000 910 790	RUBBER U-MOULDING 790MM	1
34	MPA 01 350 045	PROTECTION ROLLTRANSMISSION	1
35	BR 111 200 600	NYLON BUSHING (6.5/20X20)	2
36	BS 505 800 600	NUT M6 DIN 986	2
37	BQ 505 010 370	SAFETY STICKER 70X56 (BELT TRANSMISSION)	1
38	BQ 501 010 020	STICKER ELIET 130X60	1
39	BN 630 214 600	LOB KNOB 189-60 M14X135	2
40	BV 909 000 030	SPRING	2
41	MPA 01 090 260	LOCKING HANDLE	2
42	BQ 501 170 010	STICKER ELIET 445X80	1
43	BQ 501 170 040	STICKER DEPTH SETTING RIGHT	1
44	MPA 01 350 120	WHEELSHAFT Ø25	1
45	BS 502 001 400	SELF LOCKING NUT M14 DIN 985	2
46	MPA 01 350 105	SUPPORT HEIGHT CONTROL LEFT	1
47	BB 221 104 140	POP PLUG ALU 3.9X14 DIN 7337 A	4
48	MPA 01 350 115	SUPPORT RUBBERFLAPPER	1
49	BR 900 001 610	RUBBERFLAP - ELIET E600 COMPACTOR	1
50	BS 502 000 600	SELF LOCKING NUT M6 DIN 985	8
51	BL 801 101 500	BEARING + FLANGES ASPFL 202	2

52	BS 554 100 616	BOLT M6X16 DIN 603	8
53	BQ 501 170 030	STICKER DEPTH SETTING LEFT	1
54	MPA 01 350 110	SUPPORT FLAPPER	1
55	MPA 01 350 100	SUPPORT HEIGHT CONTROL RIGHT	1
56	MPA 01 350 060	TRACTIONROLL	1
57	BR 910 000 740	NYLON SCRAPER 70X3X560	1
58	MPA 01 350 245	CLAMPPROFILE SCRAPER TRACTIONROLL	1
59	BN 230 300 100	GRIP	2
60	BS 521 100 820	SCREW M8X20 DIN 912	4



ELIET E600 C -- TRANSMISSION PULLING ROL

NO	MMA 01 350 130	REV	1	DATE	2014/01/30
----	----------------	-----	---	------	------------

#	Order nr	Description	#
1	BS 554 100 616	BOLT M6X16 DIN 603	4
2	BS 554 100 620	BOLT M6X20 DIN 603	1
3	BS 531 000 600	WASHER M6 DIN 125	6
4	BS 502 000 600	SELF LOCKING NUT M6 DIN 985	6
5	MPA 01 350 135	SUPPORT GEAR BOX	1
6	BR 112 121 900	NYLON BUSHING WITH COLLAR (12/16/21x19/2)	1
7	BA 670 405 405	REDUCTION GEARBOXES E600 COMPACTOR	1
8	BS 512 000 643	BOLT M6X55 DIN 933	1
9	BB 351 040 440	KEY 4X4X40 DIN 6885A	1
10	BS 501 000 600	NUT M6 DIN 934	1
11	BS 532 006 224	WASHER M6X22X2	2
12	BL 801 101 200	BEARING + FLANGES ASPFL 201	1
13	BR 910 000 730	NYLON WASHER 2,5X12,3X30	1
14	BB 501 306 130	SET SCREW 1/4"X1/2"	2
15	BB 501 111 200	TAPER LOCK TL 1108-12	1
16	BA 521 404 870	BELT Z 487	1
17	BA 561 706 310	PULLEY SPZ 63 TL1108	1
18	BY 100 106 100	GREASE FITTING M6 DIN 71412	1
19	MPA 01 350 130	CLAMP RING	1
20	BA 161 027 289	SPROCKET SIMPLEX 3/8"X7/32" 27T + CLUTCH MECHANISM	1
21	BS 502 001 000	SELF LOCKING NUT M10 DIN 985	1
22	BA 151 400 000	CONNECTING CHAIN LINK SIMPLEX (1/2) 3/8"X7/32"	1
23	BA 101 081 020	CHAIN SIMPLEX 3/8"X7/32" 81L	1
24	BA 151 200 000	CONNECTING CHAIN LINK SIMPLEX 3/8"X7/32"	1
25	BA 198 010 150	SPROCKET SIMPLEX 3/8"X7/32" 15T + BEARING	1
26	BS 501 001 000	NUT M10 DIN 934	1
27	BS 512 000 618	BOLT M6X18 DIN 933	1
28	BA 161 014 151	SPROCKET SIMPLEX 3/8"X7/32" 14T	1
29	BS 023 000 608	SET SCREW M6X8 DIN 916	2
30	MPA 01 350 055	SUPPORT CHAIN TIGHTENER	1
31	BB 351 050 525	KEY 5X5X25 DIN 6885A	1